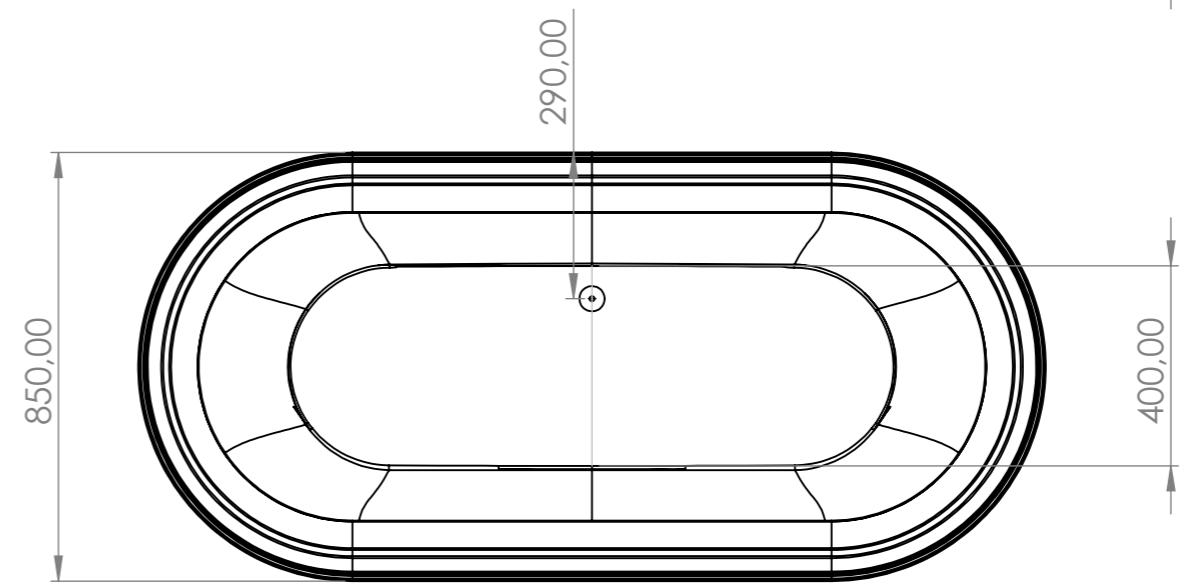
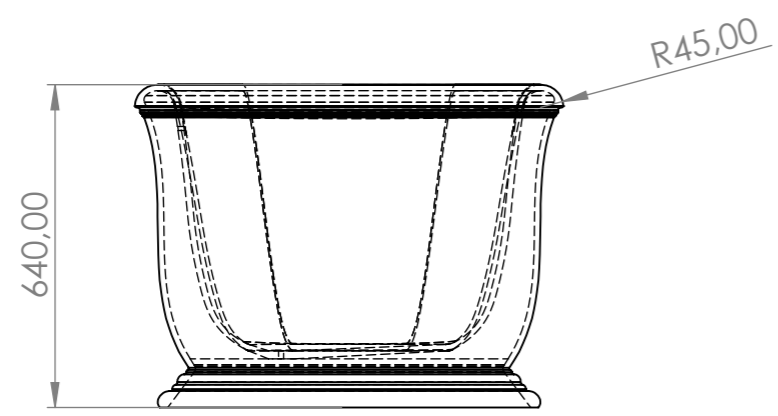
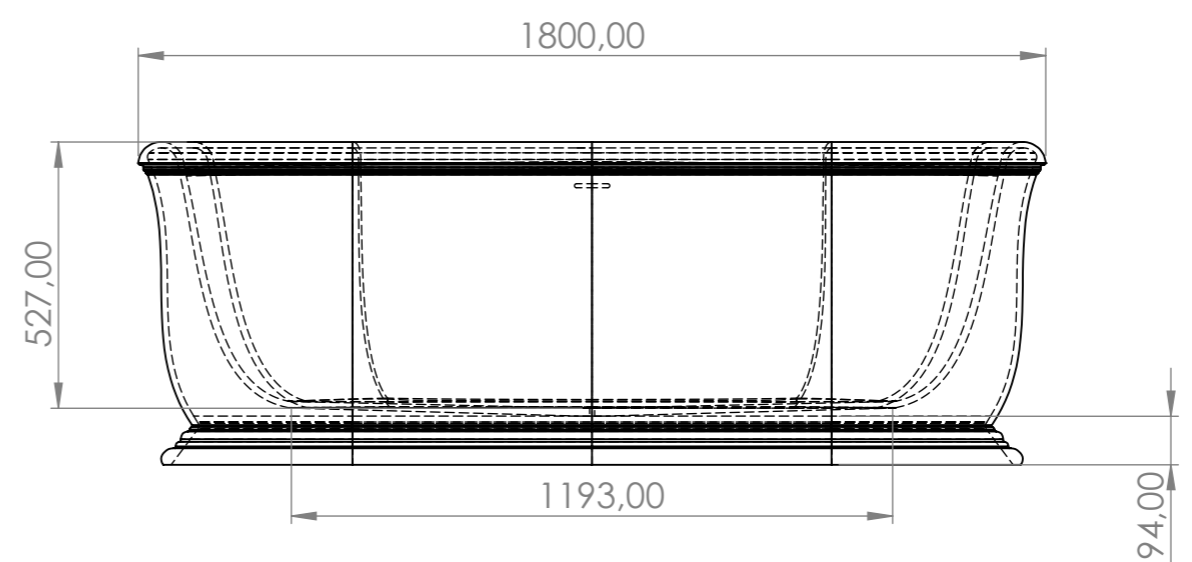
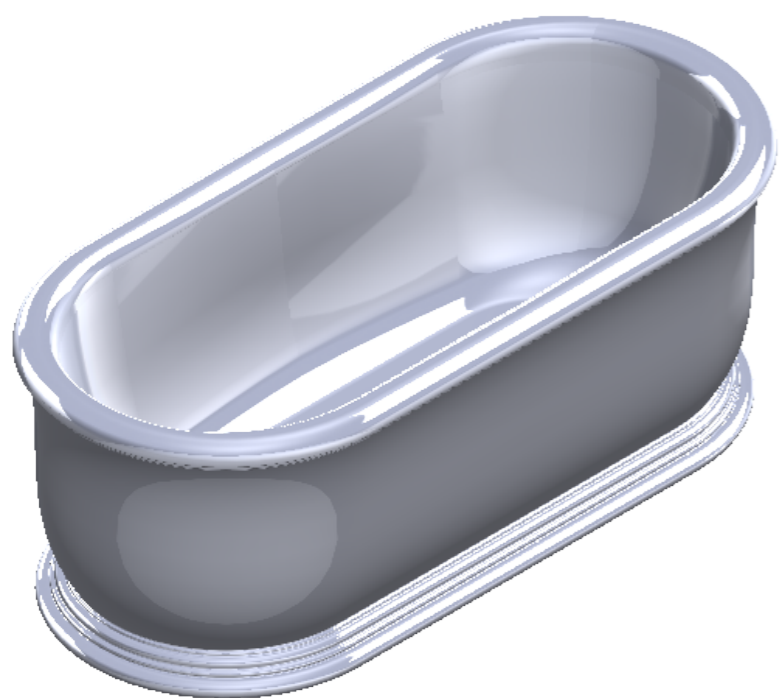


8 7 6 5 4 3 2 1

F
E
D
C
B
A



F
E
D
C
B
A

8 7 6 5 4 3 2 1

UNLESS OTHERWISE SPECIFIED: DIMENSIONS ARE IN MILLIMETERS SURFACE FINISH: TOLERANCES: 1% LINEAR: ANGULAR:		FINISH:		DEBURR AND BREAK SHARP EDGES		DO NOT SCALE DRAWING		REVISION 1	
DRAWN CVK		NAME		SIGNATURE		DATE		Boutique Baths (Pty) Ltd	
CHK'D								TITLE: Athena Bath	
APPV'D								MATERIAL: Cian Solid Surfacing	
MFG								DWG NO. ATH001	
Q.A								WEIGHT: 137 Kg's	
								SCALE:1:15	
								SHEET 1 OF 1	

A3