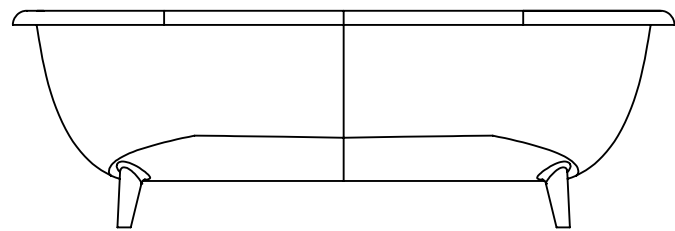


6 5 4 3 2 1

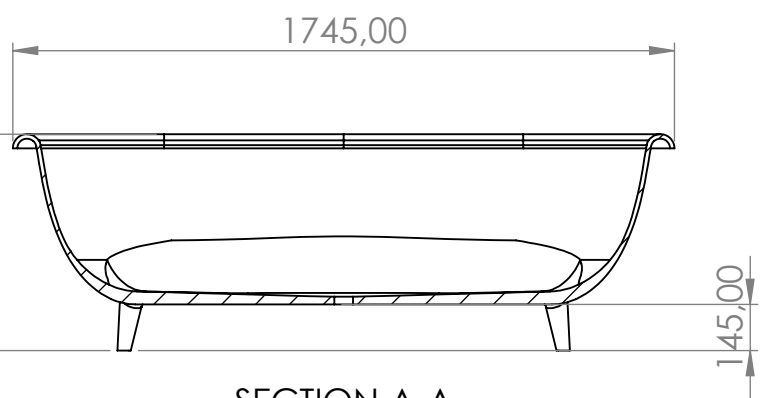
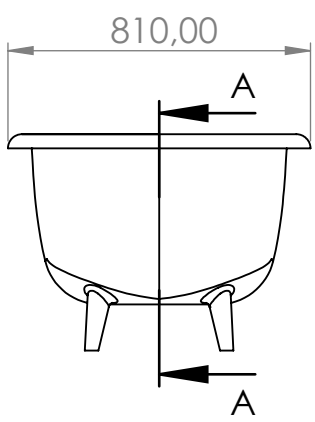
D

D



C

C



B

B

SECTION A-A

A

A

UNLESS OTHERWISE SPECIFIED: DIMENSIONS ARE IN MILLIMETERS SURFACE FINISH: TOLERANCES: 0.2% LINEAR: ANGULAR:				FINISH:		DEBURR AND BREAK SHARP EDGES		DO NOT SCALE DRAWING		REVISION 1	
								Boutique Baths (Pty) Ltd			
								TITLE: Caprice Bath			
DRAWN				NAME		SIGNATURE		DATE		DWG NO. CAP001	
CHK'D										A4	
APPV'D											
MFG											
Q.A								MATERIAL: Cian Solid Surfacing		SCALE:1:20	
								WEIGHT: 110 Kg's		SHEET 1 OF 1	

6 5 4 3 2 1