

6

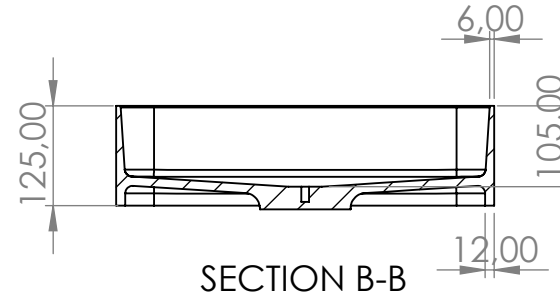
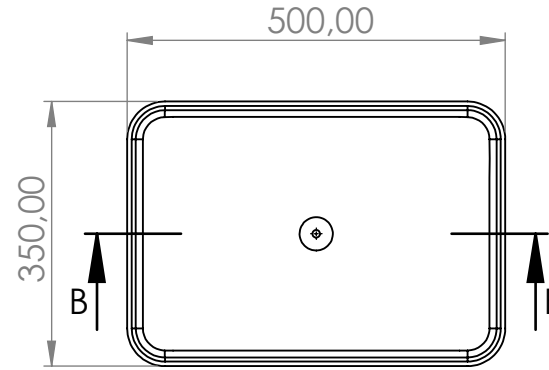
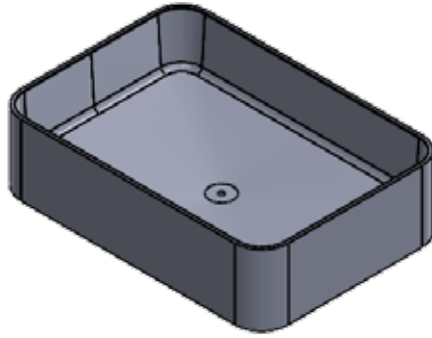
5

4

3

2

1



SECTION B-B

UNLESS OTHERWISE SPECIFIED: DIMENSIONS ARE IN MILLIMETERS SURFACE FINISH: TOLERANCES: LINEAR: ANGULAR:				FINISH:		DEBURR AND BREAK SHARP EDGES		DO NOT SCALE DRAWING		REVISION		
								Boutique Baths (Pty) Ltd				
								TITLE: SLIM RECTANGLE				
DRAWN												
CHK'D												
APPV'D												
MFG												
Q.A						MATERIAL: Cian Solid Surfacing				DWG NO. SLIM006		A4
						WEIGHT: 6.6 kg				SCALE:1:10		SHEET 1 OF 1

6

5

4

3

2

1

D

D

C

C

B

B

A

A