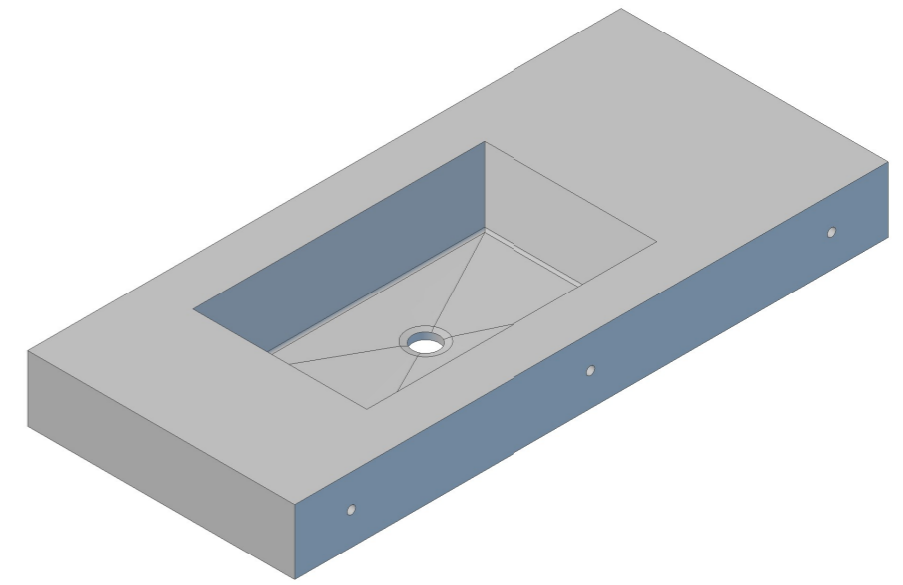
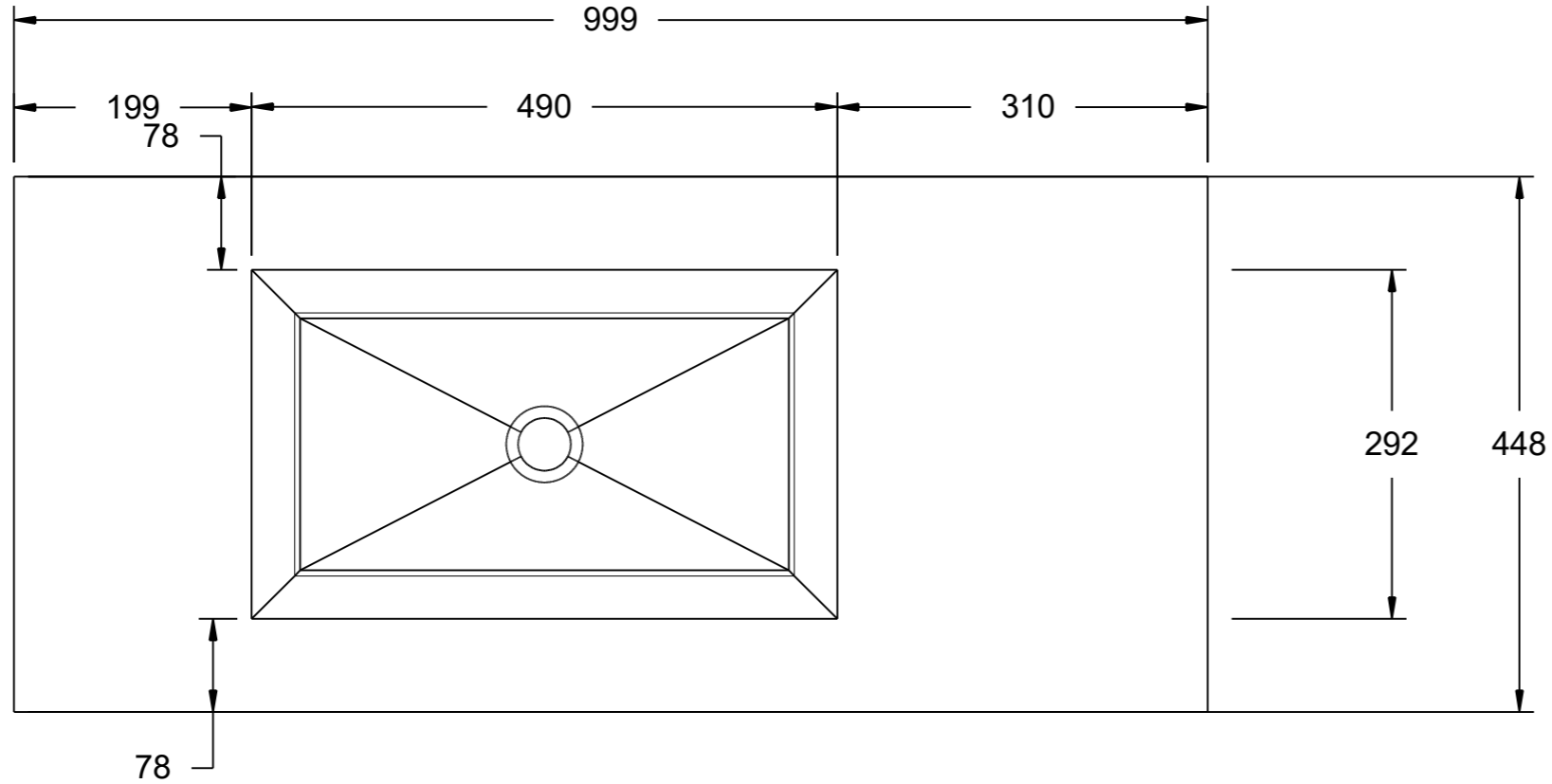
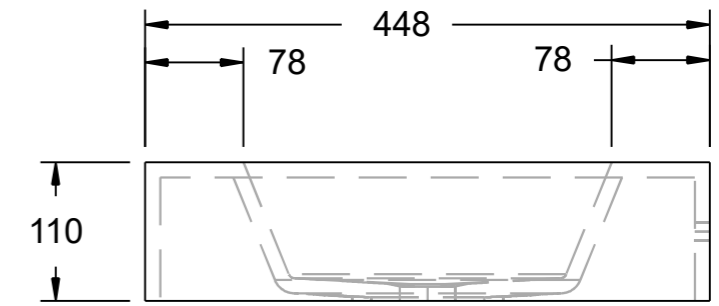
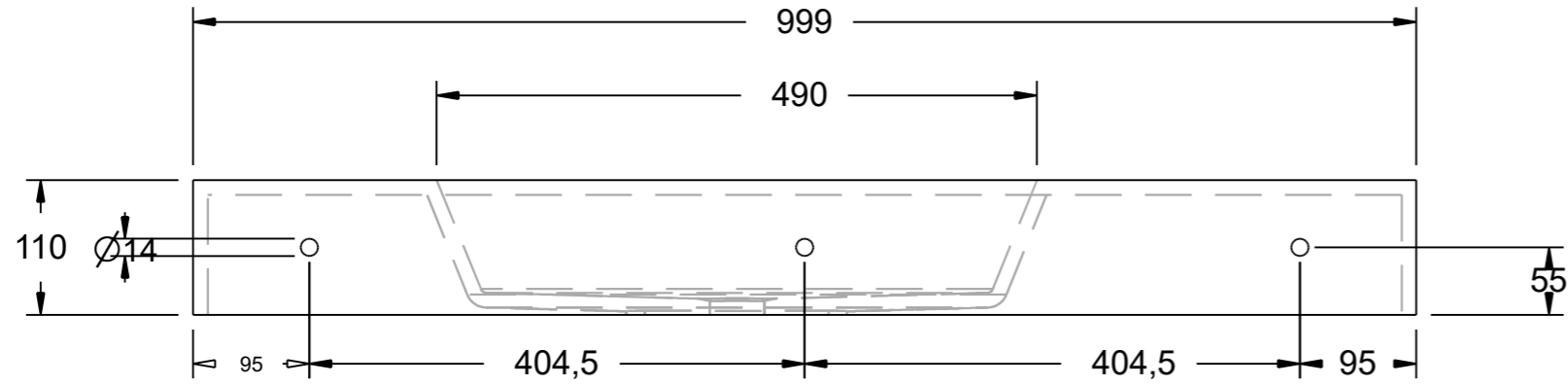
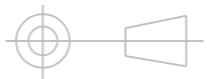


USED ON	NEXT HIGHER ASSEMBLY
-	-



2	FVK	05/07/2022	Added weight
REV	DRAWN	DATE	PARTICULARS
			ECP No.

SCALE:  
1:6 ON A3



DO NOT SCALE, USE DIMENSIONS.  
ALL DIMENSIONS ARE IN mm

RESTRICTED



FINAL APPR		
APPROVED		
APPROVED		
CHECKED		
DRAWN	FVK	22/01/2022

MATL:

WEIGHT = 19.2 kg

TITLE:

**Tetra 1000 wall mount vanity**

SUB TITLE:

**Tetra 1000**

CAD No:

DRAWING No:

2

1/1

Rev: -2